



Shading Tension System 120 Internal guided tension system



Application

STS 120 is primarily designed for commercial buildings such as offices, shops, hotels and airports. Other applications include conservatories, winter gardens and restaurant areas.

The STS 120 is suitable for rectangular fabric shades installed internally behind or below horizontal and sloping glazing, including drawing vertically bottom to top. Aluminium side guides hold the hem bar captive giving stability at larger sizes, whilst all tension load is retained within the frame, thus imposing minimal load on the supporting structure.

Design Specifications

- A single 85 mm galvanized steel roller incorporating both the drive motor and the spring compensation cassette with integral tension adjustment gear.
- Extruded aluminium hem bar supporting the free end of the fabric.
- Two aluminium side guides.
- A continuous nylon coated tension cable to deploy and retract the blind.
- Two 6.5 m capacity cable drums, one on either end of the fabric roller.

Design Options

- Relieving roller incorporated into side guides for intermediate fabric support (recommended for draw over 3 m).

Finishes

- Aluminium components - polyester powder finish, 30% gloss.
- Steel - galvanised against corrosion.
- Hem bar cap and return pulley - black injection moulded UV.

Installation Options

- Supplied with top fix or back fix system cheek plates.
- Top fixing or side fixing side guide mounting brackets available.

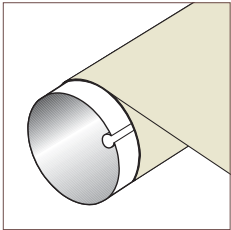
Maximum width: 5 m

Maximum draw: 6.5 m

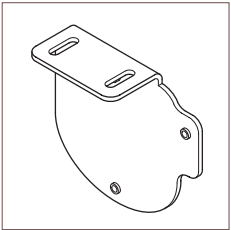
Maximum fabric area: 16 m²

Maximum fabric weight: 450 g/m²

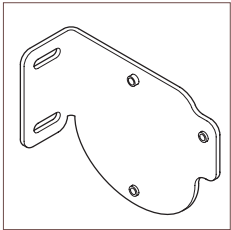
STS 120 Components



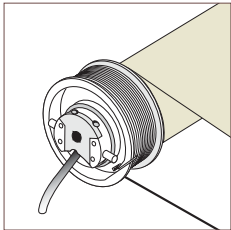
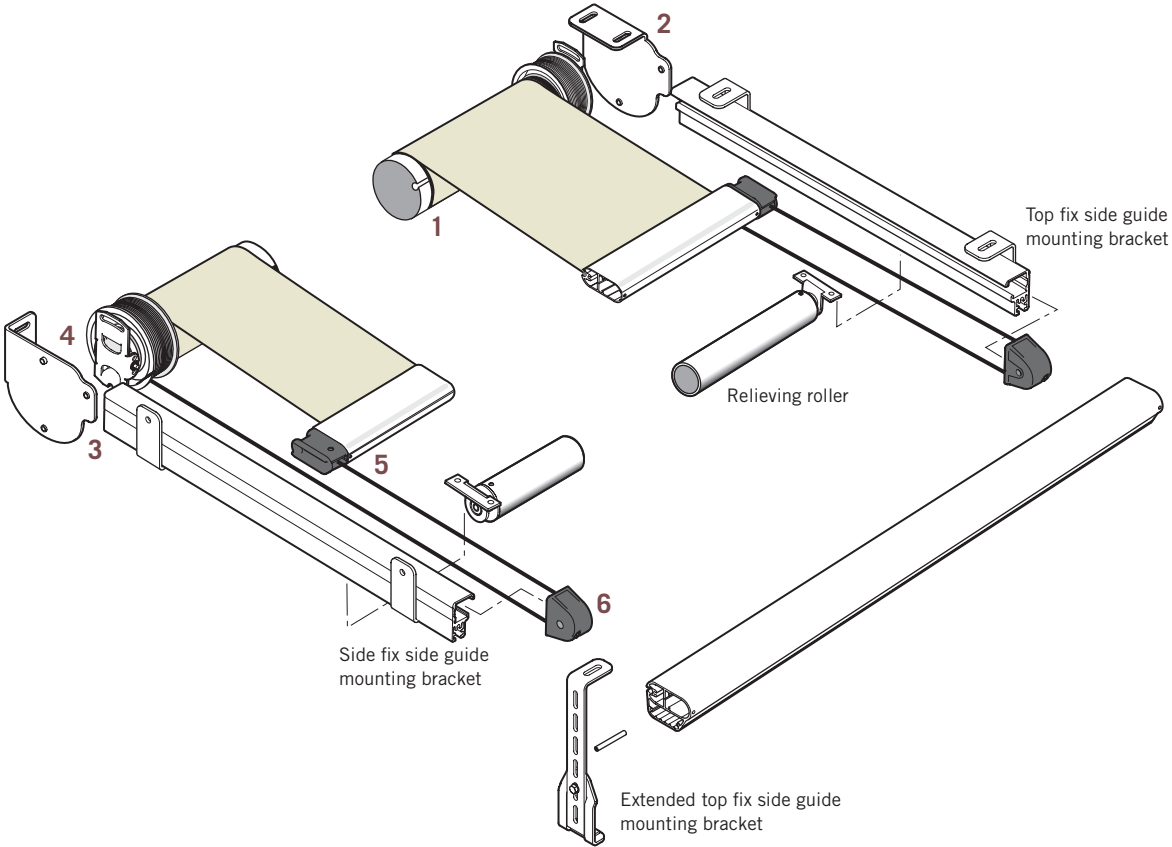
1 Fabric roller



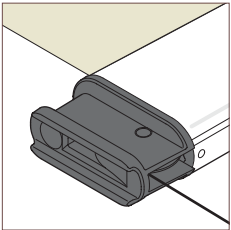
2 Top fix cheek plate



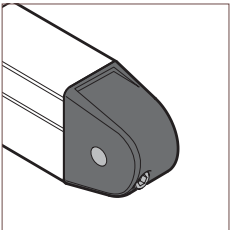
3 Back fix cheek plate



4 Motor with cable spool (without mounting plate)



5 Hem bar end cap



6 Return pulley

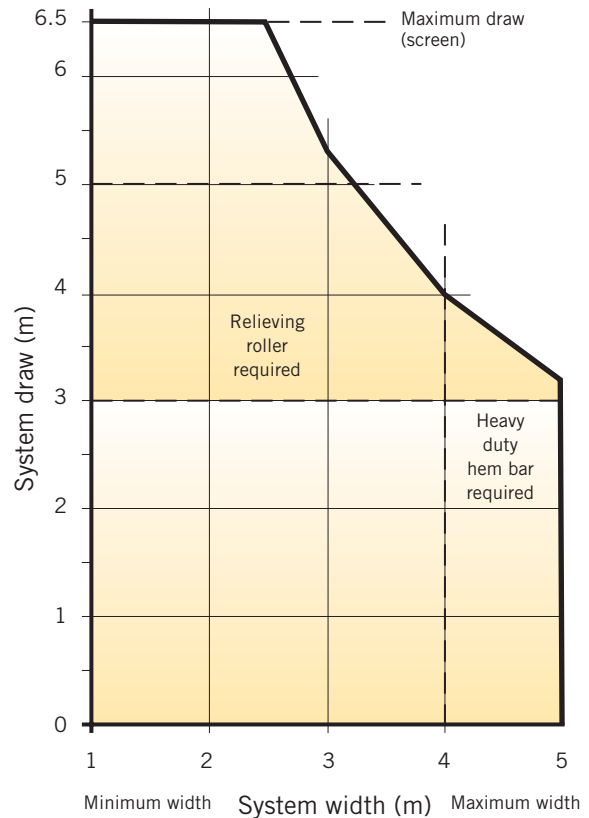
STS 120 Technical specifications

Model

Maximum width (std hem bar)	(m)	4
Maximum width (heavy duty hem bar)	(m)	5
Maximum draw	(m)	6.5
Maximum fabric area	(m ²)	16
Basic weight	(kg)	7.5
+ Per metre width	(kg)	4.2
+ Per metre draw	(kg)	3.1

Motor

Torque	(Nm)	15
Speed	(min ⁻¹)	17
Current at 230 V	(A)	0.65
Cable length	(m)	2.5
Temperature range	(°C)	-5 to +55
Maximum run time	(min)	4
Minimum fabric speed	(m/min)	5
Minimum wind speed	(m/sec)	11



Maximum fabric: area 16 m²

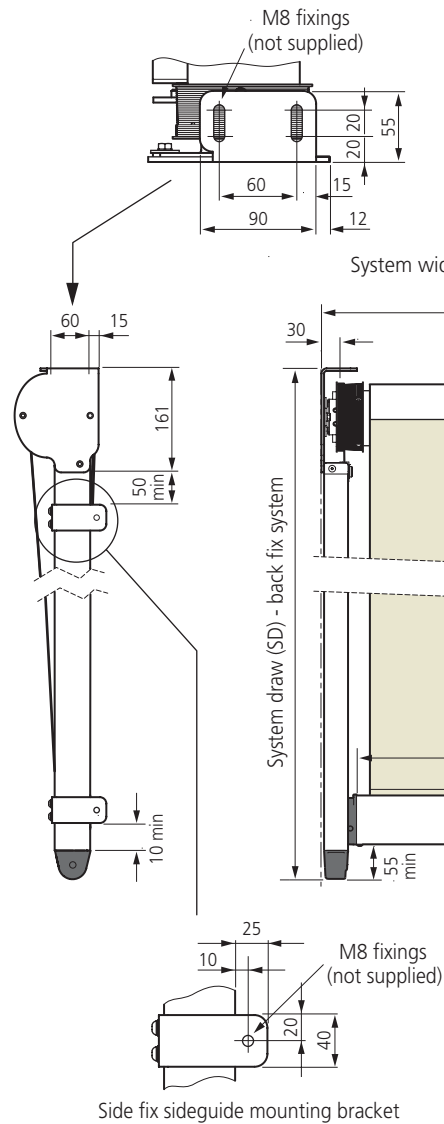
Maximum fabric weight: 450 g/m²

Minimum width Std motor: 870 mm

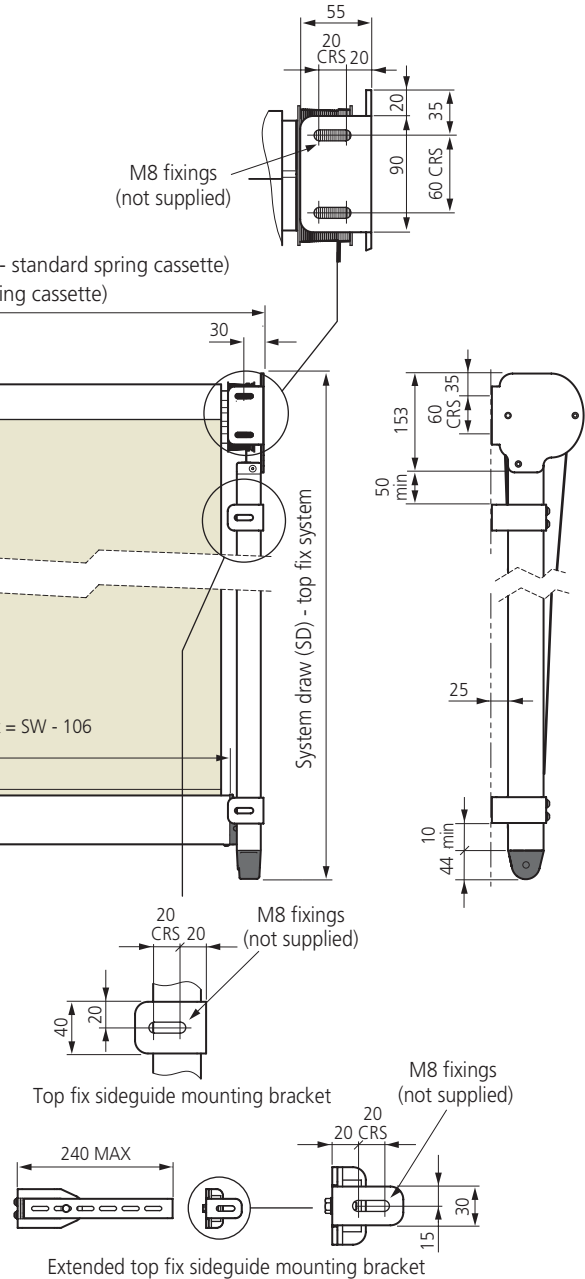
Minimum width Radio motor: 1230 mm

Tess 120 Installation

Back fix mounting



Top fix mounting



NOTES

1. When SW > 4000, heavy duty hem bar to be installed.
2. When SD > 3000, relieving roller to be installed at mid-draw.
3. Two types of system fixing are available - top fix or back fix.
4. Two types of side guide mounting bracket are available - top fix or side fix. An extended top fix bracket is also available.
5. Mounting types may be combined lengthwise within a system e.g. back fix system with top side guide mounting brackets.

All dimensions in mm

Side guide mounting bracket assemblies required per system

Draw	Quantity
< 2000	2 (fitted at return pulley end of side guide)
3500 - 5000	4
2000 - 5000	6
> 5000	8