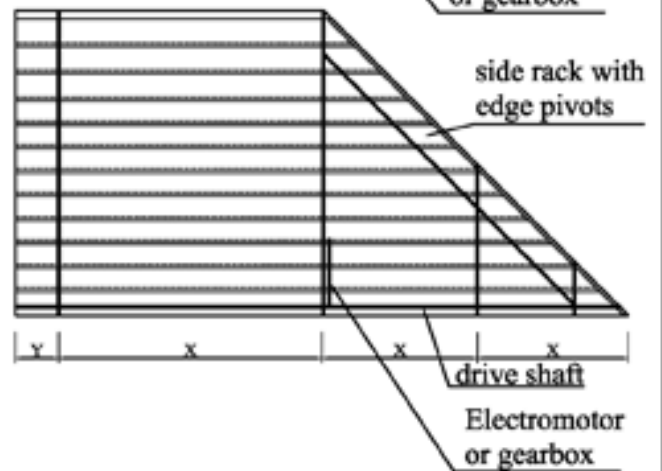
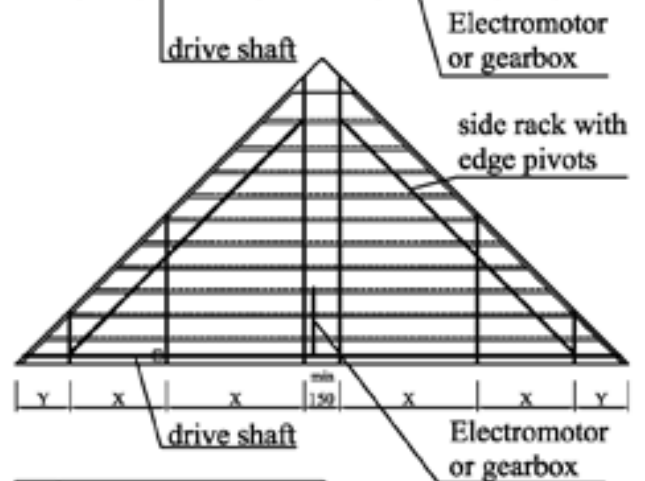
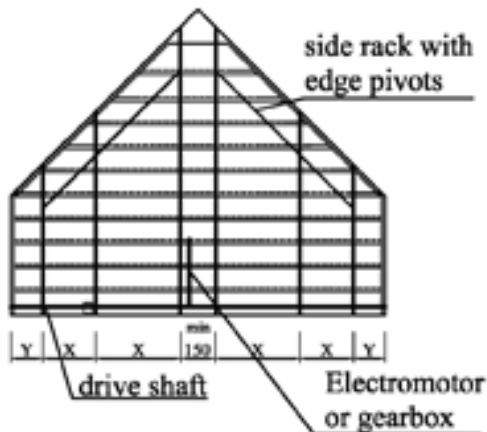
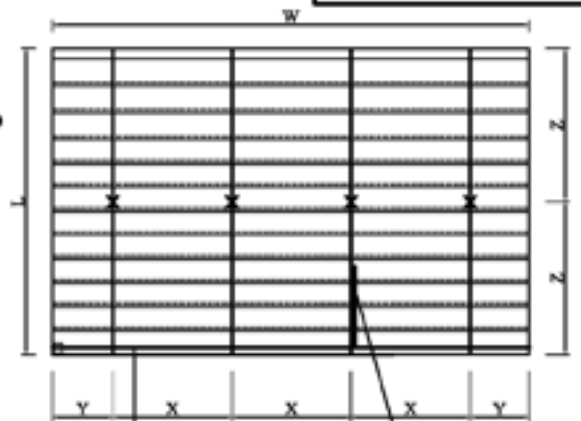
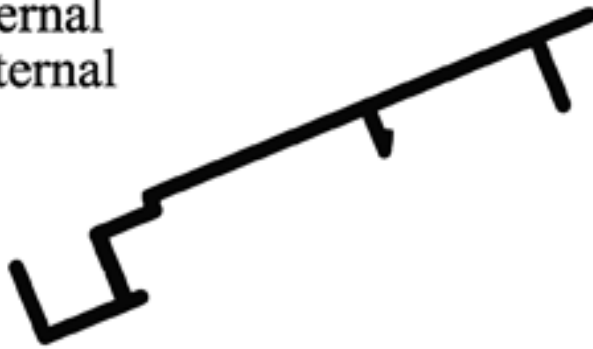


extruded louvres - black out

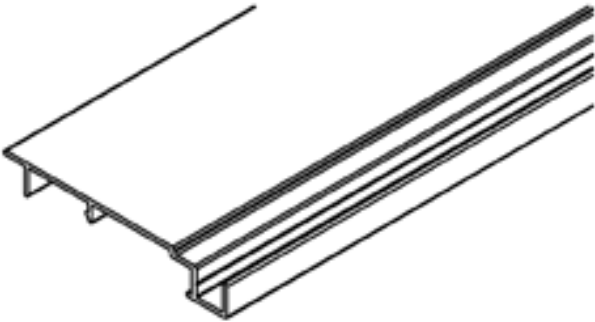

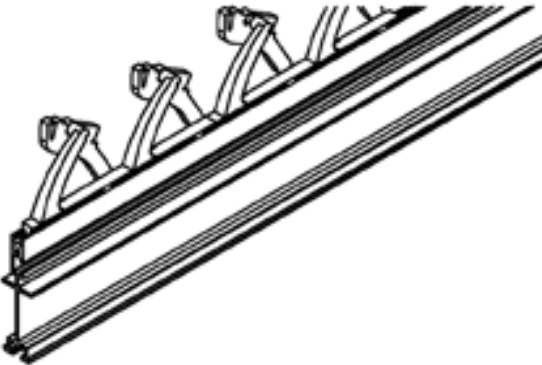

Internal

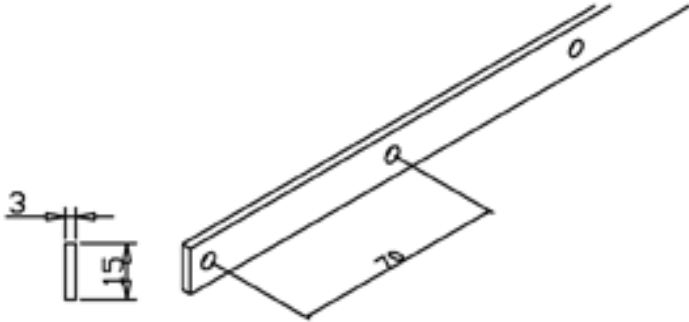
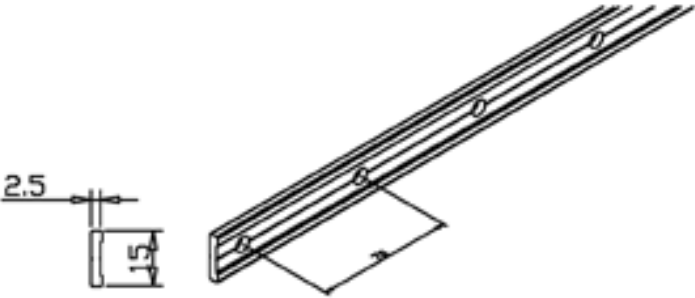
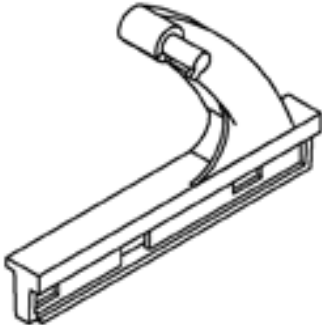
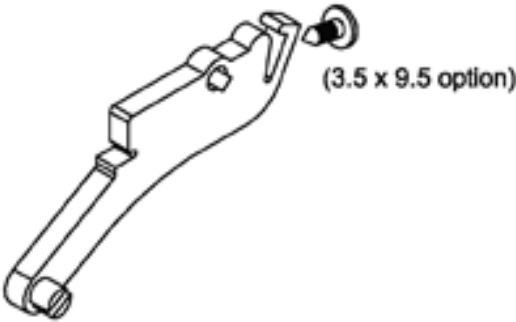
External

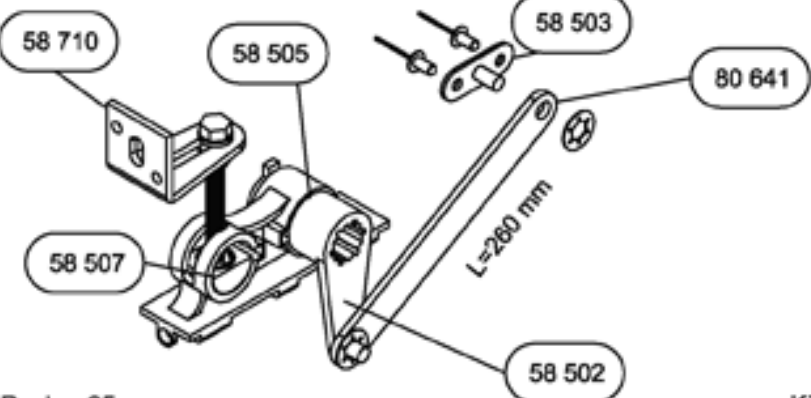
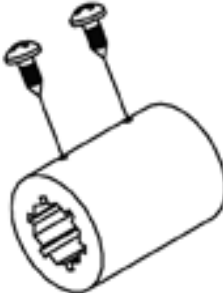
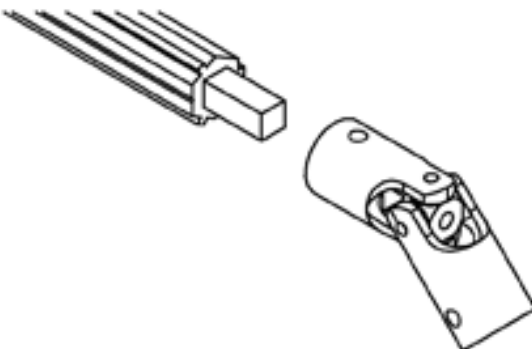




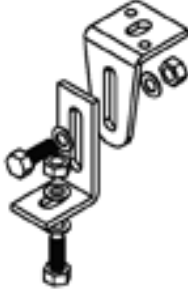
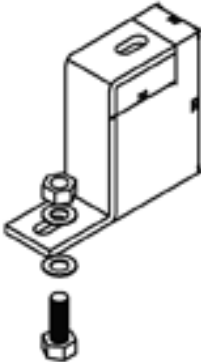
		horiso 88 E extruded slat	
		Internal	External
max. width	W	max. 500 cm	max. 450 cm
max. length	L	max. 400 cm	max. 350 cm
max. area			
gearbox 9rod & crank)		max. 16 m <sup>2</sup>	max. 12 m <sup>2</sup>
50220 230V tubular+gear 6:1		max. 12 m <sup>2</sup>	max. 14 m <sup>2</sup>
50263 230V compact motor		max. 6 m <sup>2</sup>	not applicable
50265 230V compact motor		max. 16 m <sup>2</sup>	not applicable
number of rack arms		220 cm = 2 pcs *	190 cm = 2 pcs
		221-360 cm = 3 pcs	191-320 cm = 3 pcs
		361-500 cm = 4 pcs	321-450 cm = 4 pcs
		501-600 cm = 5 pcs	451-580 cm = 5 pcs
			581-600 cm = 6 pcs
rack arm distance	X	140 cm *	130 cm
slat side overhang	Y	40 cm	30 cm
support distance	Z		
st. rack arm 35 mm		180 cm	120 cm
hd. rack arm 80 mm		300 cm	250 cm

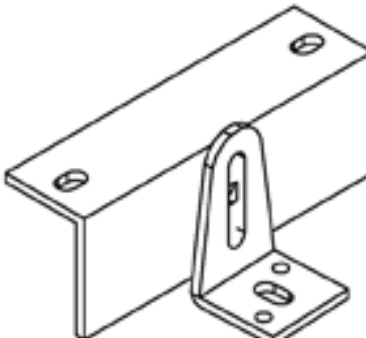
\* for optimal light enclosure  
100 cms is recommended


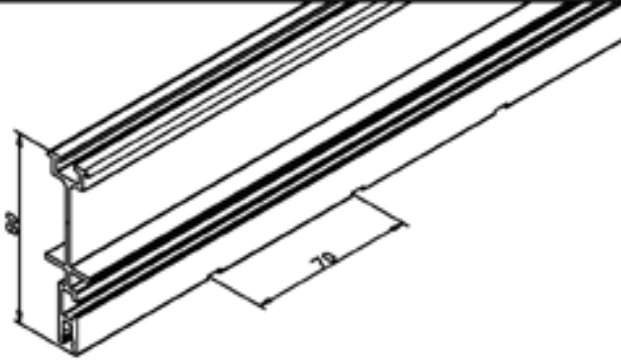
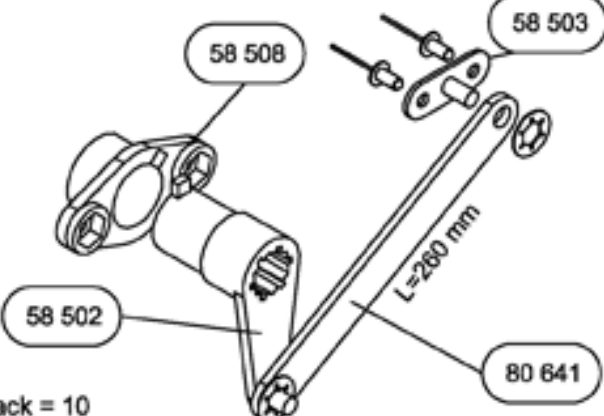
Code														
00 088	 <p>L = 5000 / 6000 mm at availability</p>	Louvre 88E (extruded)												
75 000	 <p>L = 6000 mm</p>	Rack arm assembly												
75 080	 <p>L = 6000 mm</p>	Rack arm assembly (heavy duty)												
88 825	 <p>L = 3000 mm 21mm</p>	Brushes ( black out)												
<b>PARTS AND EXTRUSIONS AS PER 75E</b>														
add to	: } Code ... <table border="0" style="display: inline-table; vertical-align: middle;"> <tr> <td style="padding-right: 10px;">+00</td> <td>mill finish</td> </tr> <tr> <td>+01</td> <td>anodised</td> </tr> <tr> <td>+02</td> <td>RAL + RAL-Nr.</td> </tr> </table>	+00	mill finish	+01	anodised	+02	RAL + RAL-Nr.	} <b>Nylon components</b> <table border="0" style="display: inline-table; vertical-align: middle;"> <tr> <td style="padding-right: 10px;">+00</td> <td>silver</td> </tr> <tr> <td>+01</td> <td>black</td> </tr> <tr> <td>+02</td> <td>brown</td> </tr> </table>	+00	silver	+01	black	+02	brown
+00	mill finish													
+01	anodised													
+02	RAL + RAL-Nr.													
+00	silver													
+01	black													
+02	brown													

Code		Operating strip (standard)														
80 153	Pack = 10 x 6000 mm 15 x 3 mm	Operating strip (Powder coating)														
80 152		Operating strip (Powder coating)														
88 200		Pivot arm														
	pack = 1000															
88 100		Slet clip (3.5 x 9.5 option)														
	pack = 1000															
add to	: } Code ... .. <table border="0" style="display: inline-table; vertical-align: middle;"> <tr> <td style="padding-right: 10px;">+00</td> <td>mill finish</td> </tr> <tr> <td>+01</td> <td>anodised</td> </tr> <tr> <td>+02</td> <td>RAL + RAL-Nr.</td> </tr> </table>	+00	mill finish	+01	anodised	+02	RAL + RAL-Nr.	<table border="0" style="display: inline-table; vertical-align: middle;"> <tr> <td colspan="2" style="text-align: center;"><b><u>Nylon components</u></b></td> </tr> <tr> <td style="padding-right: 10px;">+00</td> <td>silver</td> </tr> <tr> <td>+01</td> <td>black</td> </tr> <tr> <td>+02</td> <td>brown</td> </tr> </table>	<b><u>Nylon components</u></b>		+00	silver	+01	black	+02	brown
+00	mill finish															
+01	anodised															
+02	RAL + RAL-Nr.															
<b><u>Nylon components</u></b>																
+00	silver															
+01	black															
+02	brown															

Code		Bearing bracket assy			
88 360	Pack = 25	Kit			
58 540		Shaft coupler			
	Pack = 10	38 x 28 mm			
58 905		Universal joint			
add to	pack = 5	<table border="0"> <tr> <td data-bbox="288 1971 414 2105">         Code ...       </td> <td data-bbox="414 1971 989 2105"> <b>Aluminium</b>          +00 mill finish          +01 anodised          +02 RAL + RAL-Nr.       </td> <td data-bbox="989 1971 1145 2105"> <b>Nylon components</b>          +00 silver          +01 black          +02 brown       </td> </tr> </table>	Code ...	<b>Aluminium</b> +00 mill finish +01 anodised +02 RAL + RAL-Nr.	<b>Nylon components</b> +00 silver +01 black +02 brown
Code ...	<b>Aluminium</b> +00 mill finish +01 anodised +02 RAL + RAL-Nr.	<b>Nylon components</b> +00 silver +01 black +02 brown			

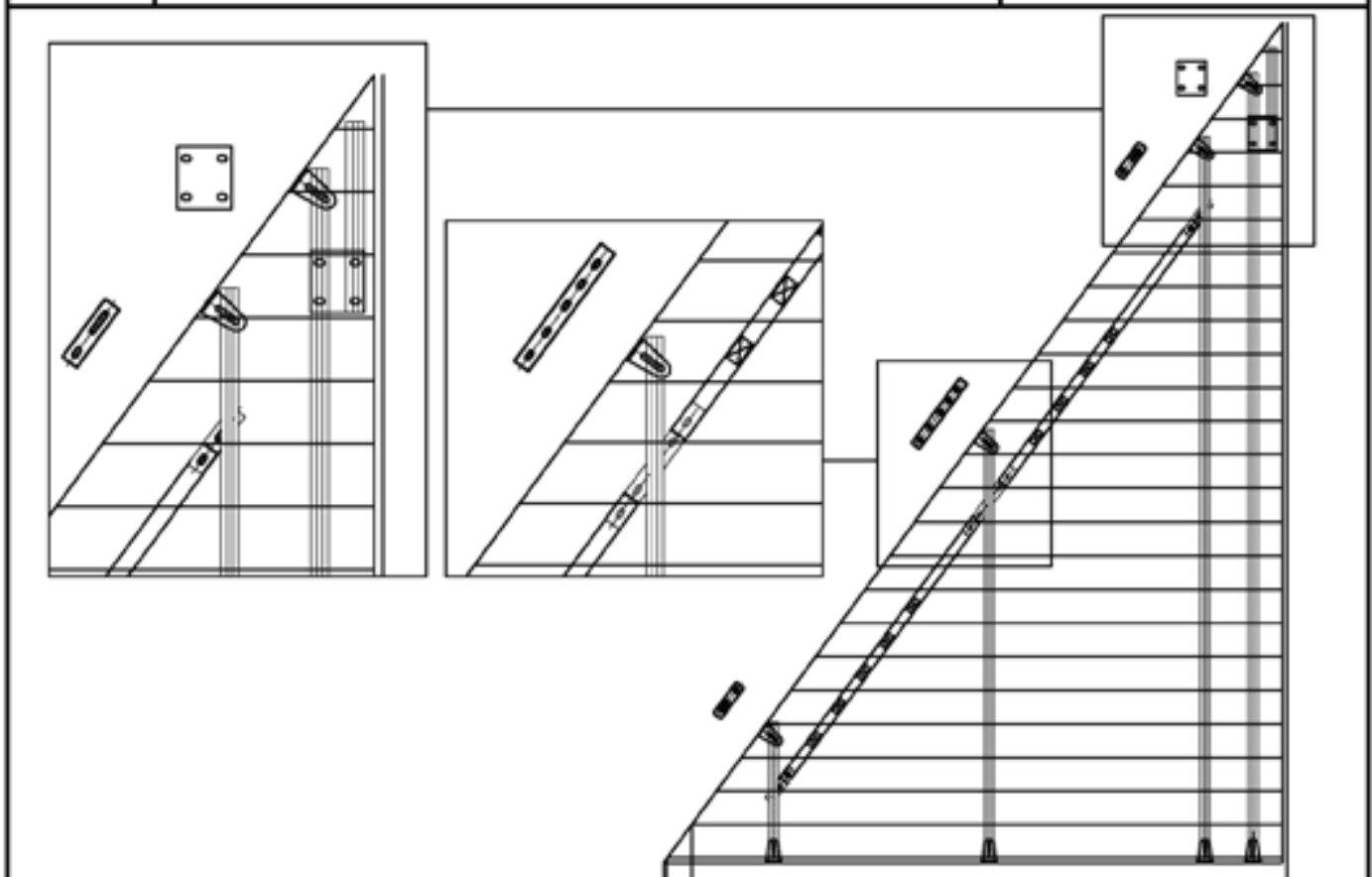
Code			Angle bracket 50x30
58 710	pack = 100	50x30x30x3	
			
58 715	pack = 100	50x30x20x3	Angle bracket 50x20
			
58 720	pack = 25	kit	Centre support, (kit)
			
58 706	pack = 25	kit	Z - support 55
			
add to	} Code .. ... +00 mill finish +01 anodised +02 RAL + RAL-Nr.	<b>Aluminium</b>	} <b>Nylon components</b> +00 silver +01 black +02 brown

Code			Double support
58 718	pack = 10	40 x 30 x 3 x 110	
00 403	L = 6000	40 x 30 x 3	Cross angle 40x30
00 504	L = 6000	50 x 40 x 3	Cross bar 50x40
add to	: } Code ... <b>Aluminium</b> +00 mill finish +01 anodised +02 RAL + RAL-Nr.		} <b>Nylon components</b> +00 silver +01 black +02 brown

<p>Code</p> <p>75 080</p>	 <p>L = 6000 mm</p>	<p>Rack arm assembly (heavy duty)</p>
<p>58 020</p>	 <p>Pack = 5 x 6000 mm</p>	<p>Rack arm extrusion (heavy duty)</p>
<p>80 355</p>	 <p>pack = 10</p>	<p>Bearing bracket (heavy duty)</p> <p>Kit</p>
<p>add to</p>	<p>Code .. ...</p> <p><b>Aluminium</b></p> <p>+00 mill finish +01 anodised +02 RAL + RAL-Nr.</p>	<p><b>Nylon components</b></p> <p>+00 silver +01 black +02 brown</p>

<b>Code</b>	<p>4,8 x 25 Inox</p>	<b>Edge pivot</b>
75 300	Pack = 25	Kit

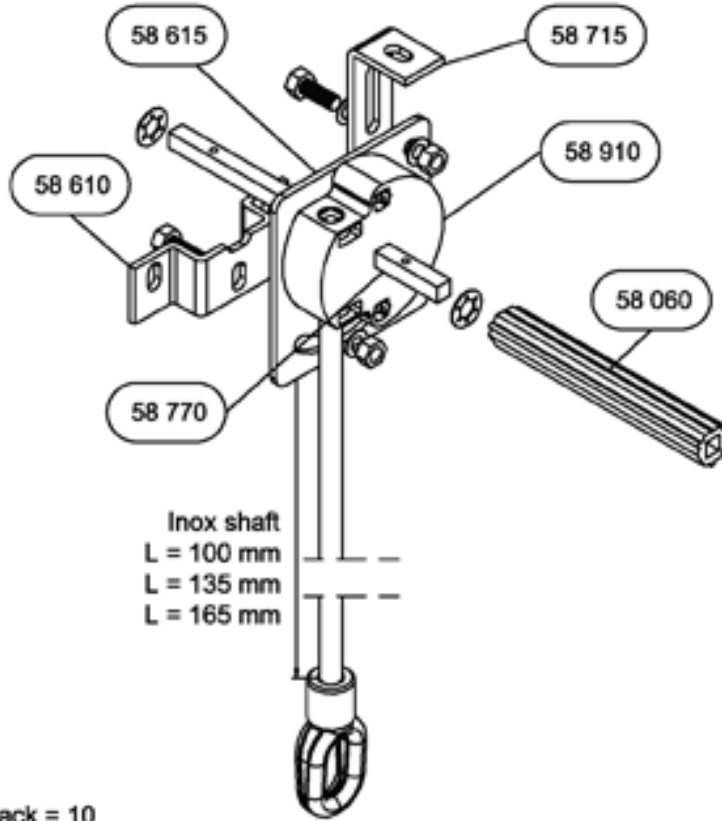
	<p>58 722      58 723      58 724</p>	<b>Fitting plates edge rack</b>
--	---------------------------------------	---------------------------------



<b>add to</b>	}	Code ...	<b>Aluminium</b>	}	<b>Nylon components</b>
		+00	mill finish		+00 silver
		+01	anodised		+01 black
		+02	RAL 8024		+02 brown



Code

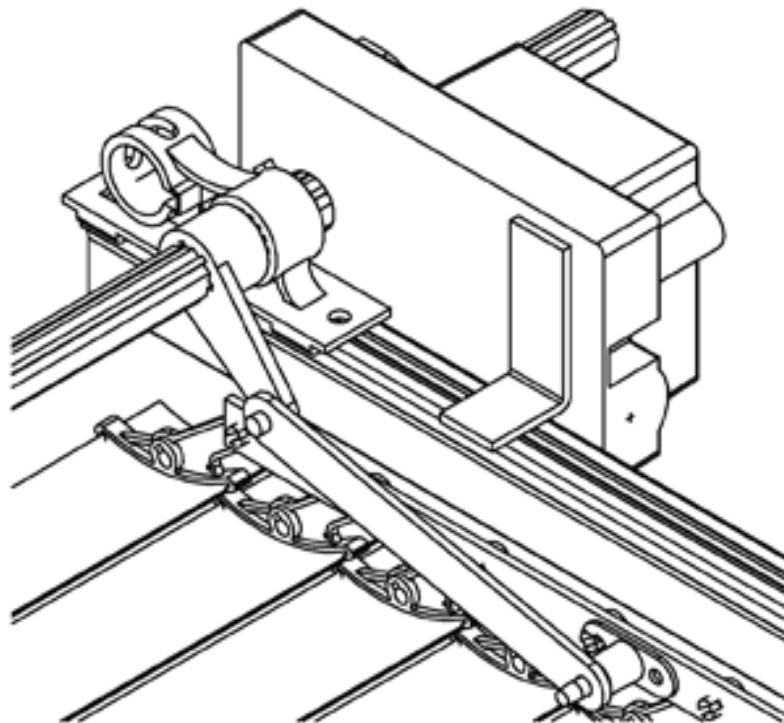


Gearbox 6:1

58 990

Pack = 10

Kit



Box motor

58 959

Motor 50 263, max. 6 m<sup>2</sup>

58 960

Motor 50 265, max. 16 m<sup>2</sup>

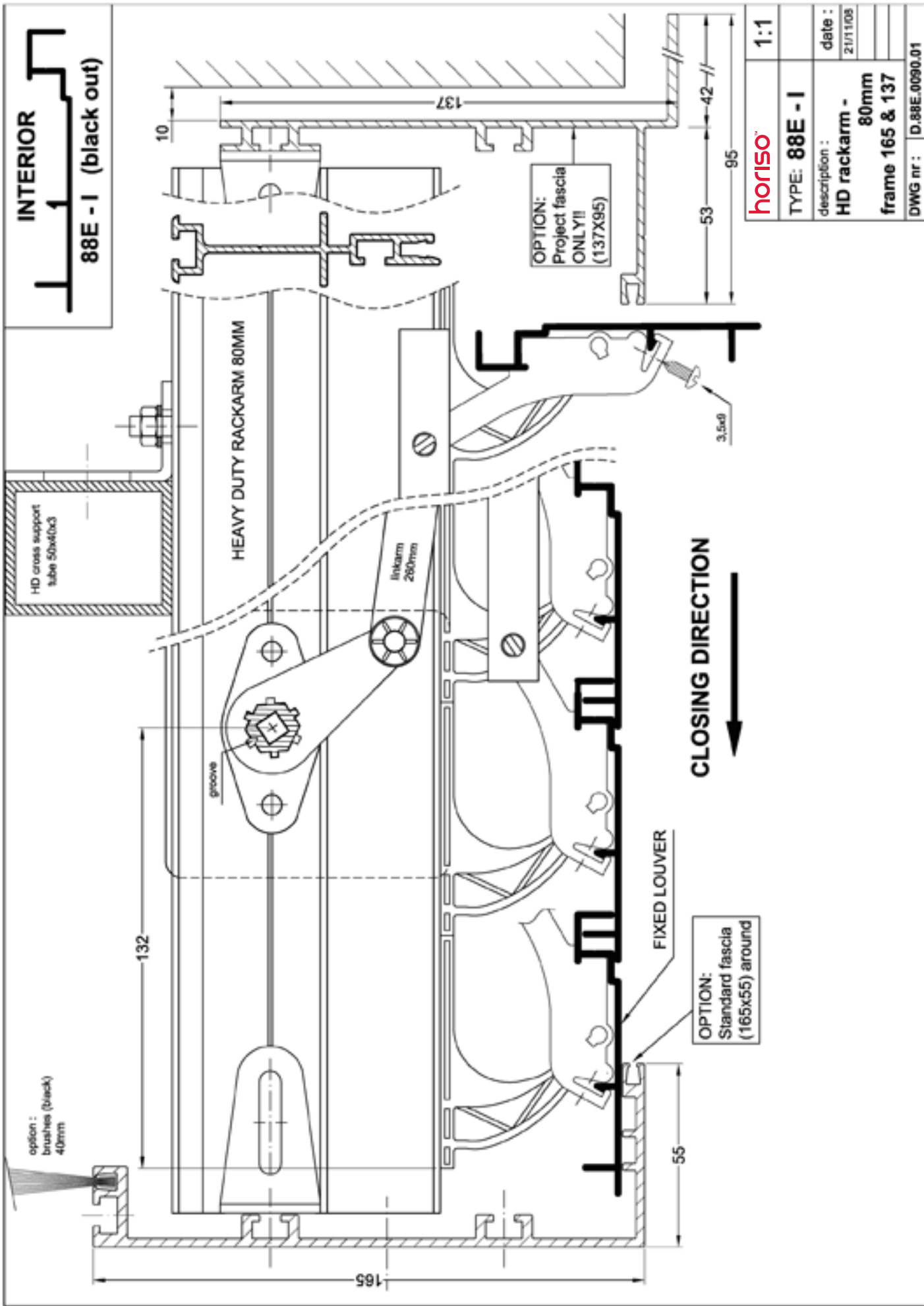
add to : } Code ... ..  
 +00 mill finish  
 +01 anodised  
 +02 RAL 8024

**Aluminium**

**Nylon components**

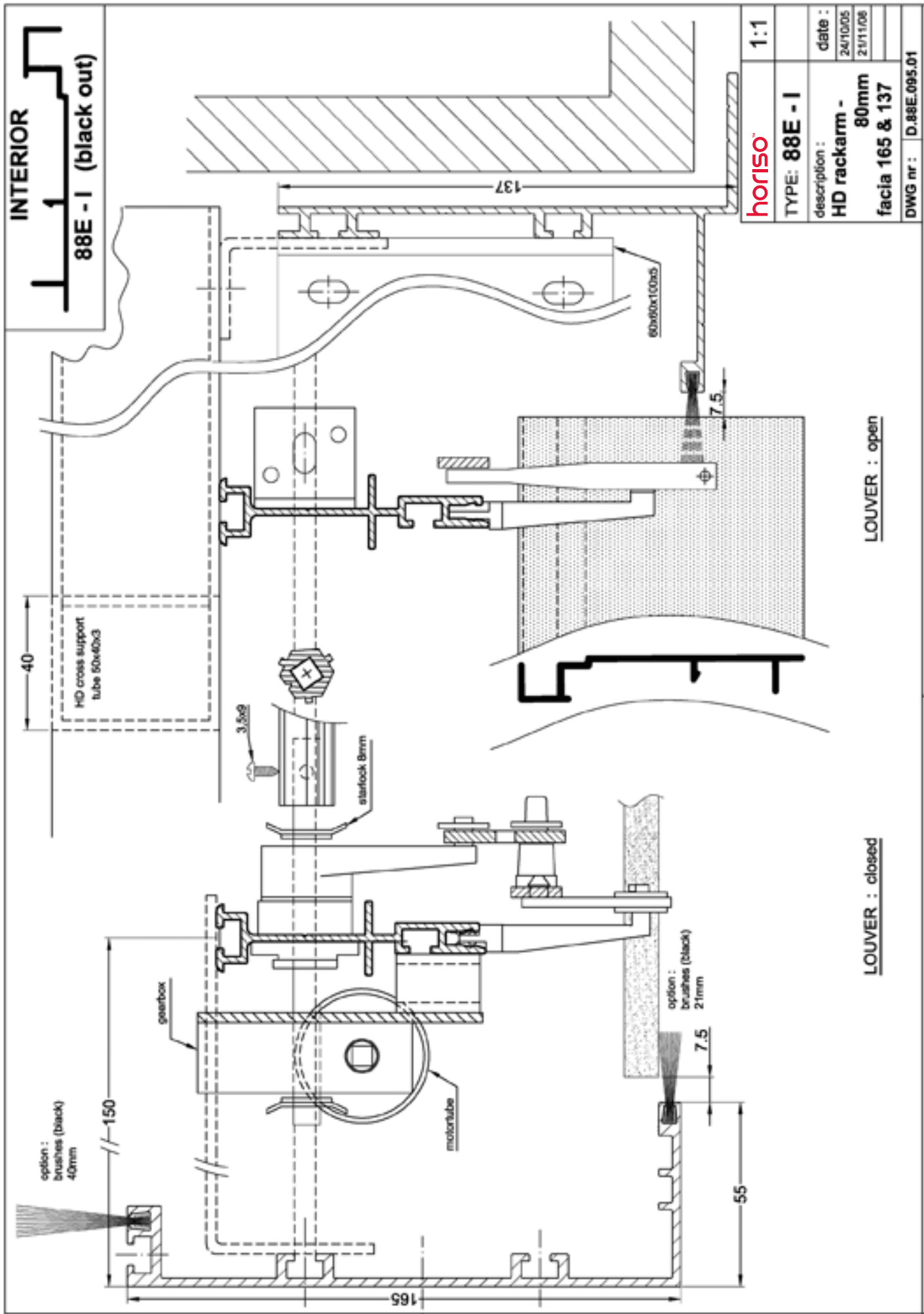
+00 silver  
 +01 black  
 +02 brown





<b>horiso</b>		1:1
TYPE: <b>88E - I</b>		
description : <b>HD rackarm - 80mm frame 165 &amp; 137</b>		
date : 21/11/08		
DWG nr : D.88E.0090.01		

horiso - 22 Myrtle Street Marrickville NSW 2204 Australia Website : www.horiso.com E-mail : info@horiso.com Tel : (61 2) 8755 4500 Fax : (61 2) 8755 4555



**INTERIOR**  
**88E - I (black out)**

<b>horiso</b>		<b>1:1</b>
<b>TYPE: 88E - I</b>		
description :	date :	
<b>HD rackarm - 80mm</b>	24/10/05	
<b>facia 165 &amp; 137</b>	21/11/06	
DWG nr :	D.88E.095.01	

LOUVER : open

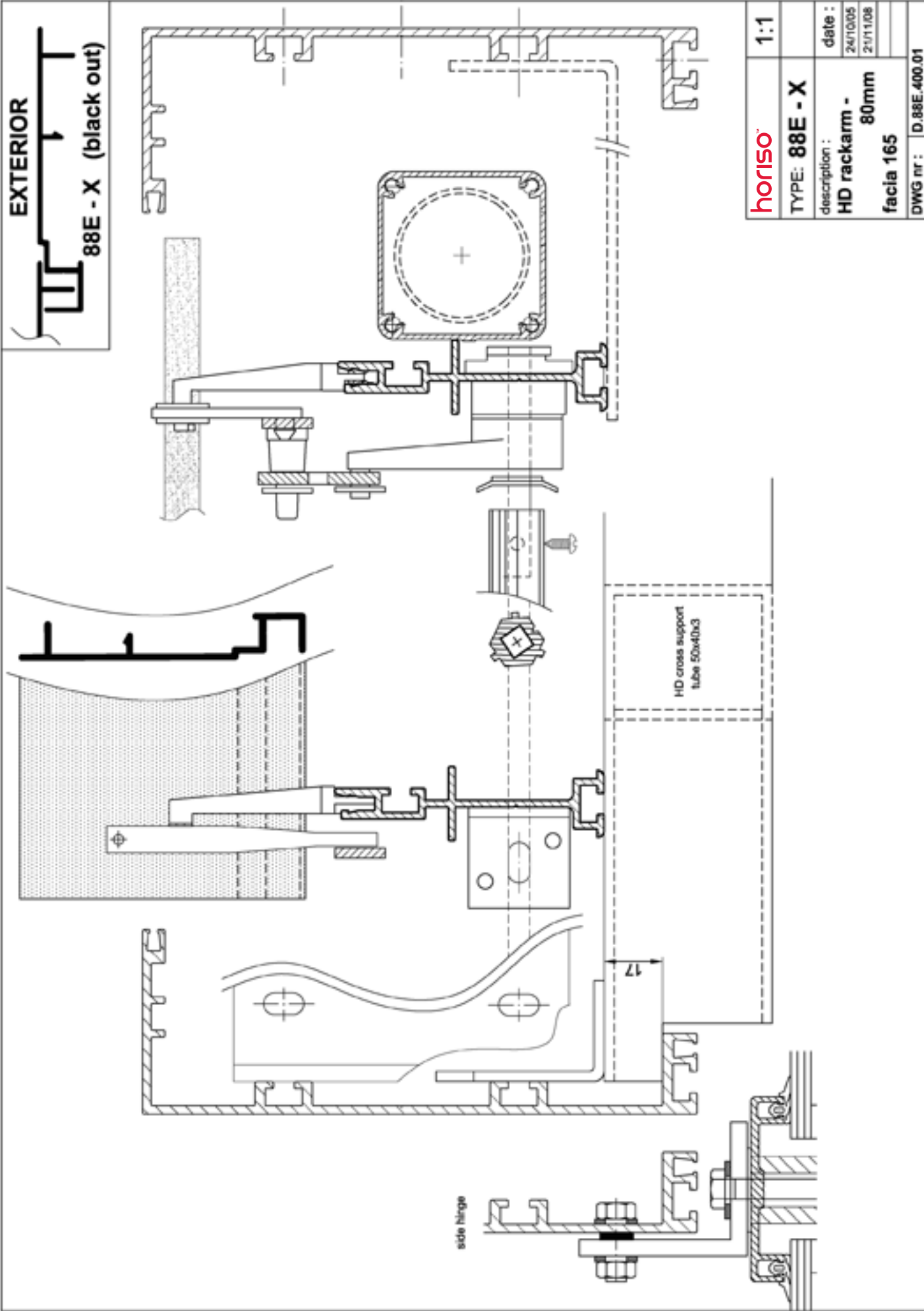
LOUVER : closed

horiso - 22 Myrtle Street Marrickville NSW 2204 Australia Website : www.horiso.com E-mail : info@horiso.com Tel : (61 2) 8755 4500 Fax : (61 2) 8755 4555



EXTERIOR

88E - X (black out)



<b>horiso</b>	1:1
<b>TYPE: 88E - X</b>	
description:	date :
<b>HD rackarm - 80mm</b>	24/10/05
<b>facia 165</b>	21/11/08
DWG nr :	D.88E.400.01

