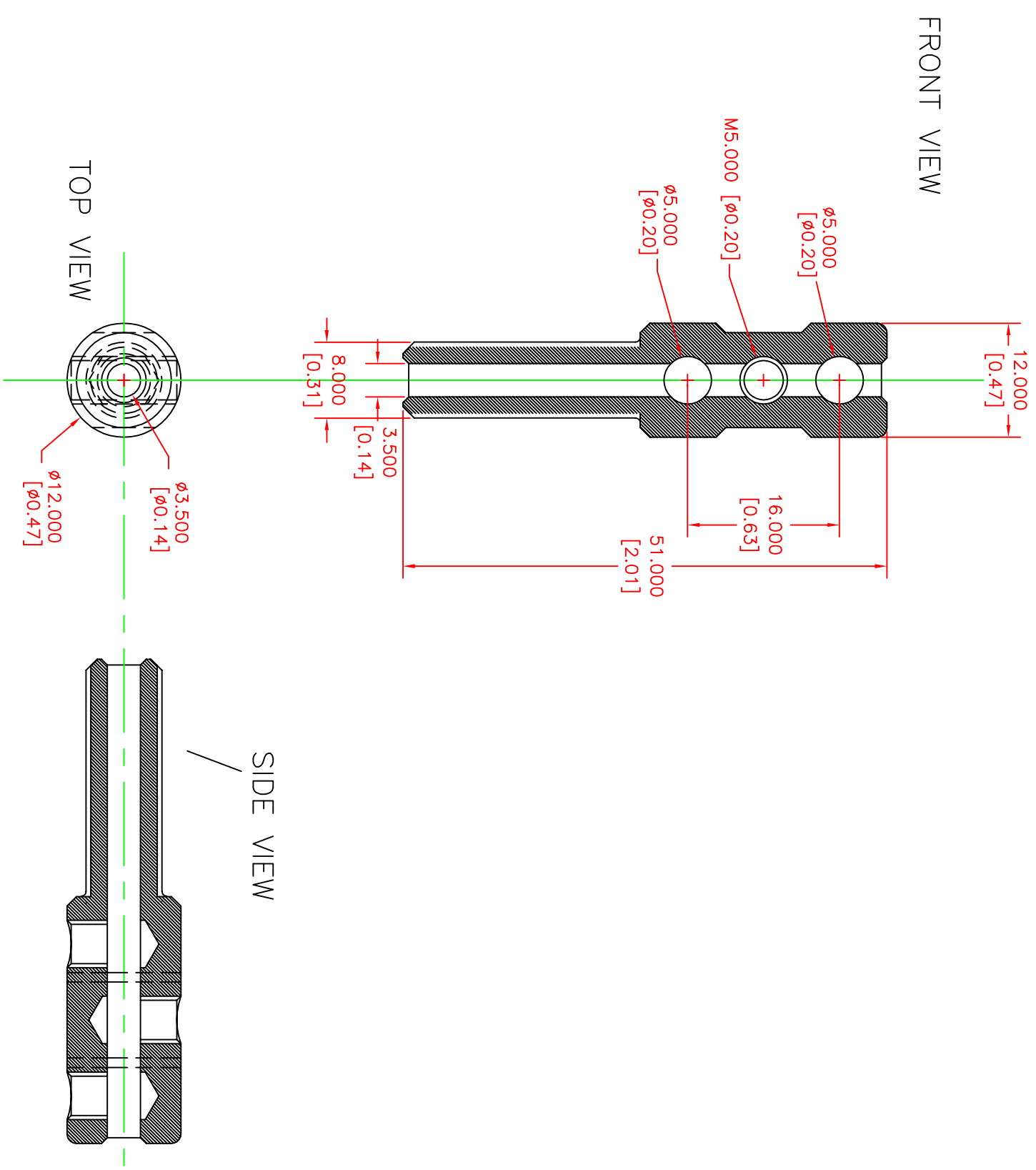


REVISIONS			
REV	DESCRIPTION	DATE	APPROVED
A	INITIAL DRAWING	17/ 12/09	NK



22 - 26 Myrtle Street
Marrickville NSW 2204
Australia
www.horiso.com

T: (61 2) 8755 4500
F: (61 2) 8755 4555

Product Type: SWAGE SWAGING ELEMENTS

Product Reference: SWAGE FIXING UNIVERSAL EA M8X50

SIZE: RSM No. 100861019
DMS No.

SCALE: DATE: 1/ 12/09 SHEET

Drawn: NAP NK

USER REVDATA FNAME

