

Face fix pelmet/fascia with 2" (50 mm) extension. Suitable for 3 1/7" and 4" slats only (80 and 100 mm).

Top fix pelmet/fascia with 2" (50 mm) extension. Suitable for 3 1/7" and 4" in slats only (80 and 100 mm).



Custom pelmet/fascia on a curved facade.

## Pelmets / fascias

The aluminum extruded pelmet / fascia accommodates the headrail, slats and bottom bar. Pelmet/fascia is top or face fixed and supplied with end plates.

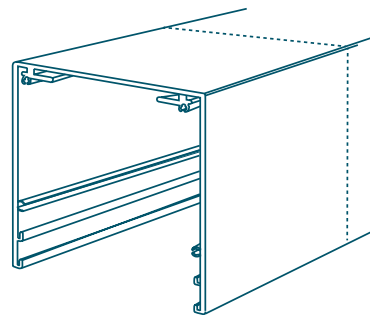
- ▶ Extruded aluminum 1/8" (3 mm) 25 micron clear anodized.
- ▶ Powder coated in standard or custom colors.
- ▶ Pelmet/fascia extensions are available in 2" (50 mm) increments (end plates are available up to 3 extensions. More than 3 are available on request).
- ▶ Pelmet/fascia fixing spacing is subject to site structure and cannot exceed 23 5/8 in (600 mm).
- ▶ Custom pelmet/fascia solutions available.

### Pelmet/fascia weight in Lbs

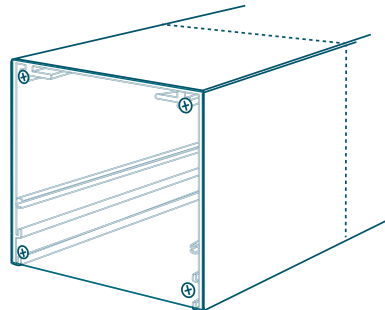
Extension Qty	Weight / feet
0	3.02 Lbs
1	4.10 Lbs
2	5.18 Lbs
3	6.23 Lbs

### Pelmet/fascia weight in kgs

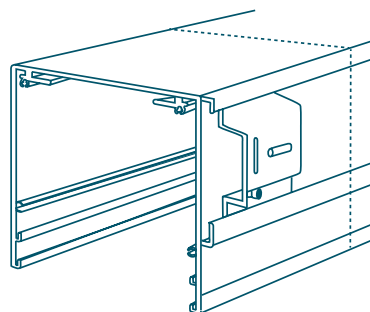
Extension Qty	Weight / metre
0	4.5 Kgs
1	6.1 Kgs
2	7.7 Kgs
3	9.3 Kgs



Top fix pelmet/fascia.



Top fix pelmet/fascia with end plate.



Face fix pelmet/fascia.