



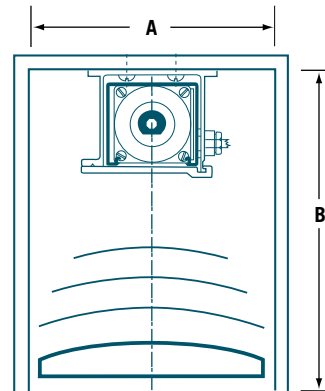
Retractable Horizontal Louvers - internal. University building.

## System installation requirements

The recess requirements to accommodate the head-rail, retracted slats and base bar.\*

### A - Recess widths in / mm

Slat width	Minimum recess widths
3 1/7" / 80 mm	4 5/7" / 120 mm
4" / 100 mm	5 1/2" / 140 mm
6" / 150 mm	7 1/2" / 190 mm



### B - Packing/Stacking heights in / mm

Total height of blind		Stacking height for different slat widths with AKS/ N and AKG systems							
		80 AK-S/N		80 AK-G		100 AK-S/N		100 AK-G	
in	mm	in	mm	in	mm	in	mm	in	mm
59	1,500	7	180	7 2/7	185	6 2/3	170	6 8/9	175
78 2/5	2,000	7 7/8	200	8	205	7 1/3	187	7 5/9	192
98 2/5	2,500	8 2/3	220	8 6/7	225	8	203	8 1/5	208
118	3,000	9 4/9	240	9 2/3	245	8 6/7	220	8 6/7	225
130	3,300	10	252	10 1/8	257	9	230	9 1/7	235
157 1/2	4,000	-	-	11 2/9	285	-	-	10 1/7	258
197	5,000	-	-	12 4/5	325	-	-	11 1/2	292
236 1/5	6,000	-	-	14 3/8	365	-	-	12 4/5	325
275 3/5	7,000	-	-	16	405	-	-	14	358
317 2/3	8,000	-	-	17 1/2	445	-	-	15 3/7	392
354 1/3	9,000	-	-	19	485	-	-	16 3/4	425

\*Tables are indicative only